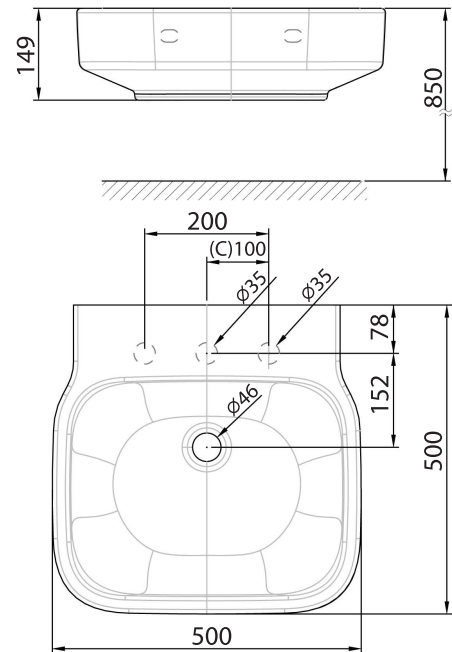


# IDEAL DESIGN SOLUTIONS

**IDS Clear counter  
top/wall hung 500mm**  
Product Code: WP-F627



*American Standard®*