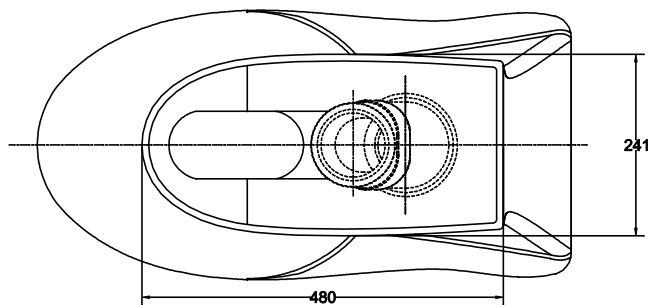
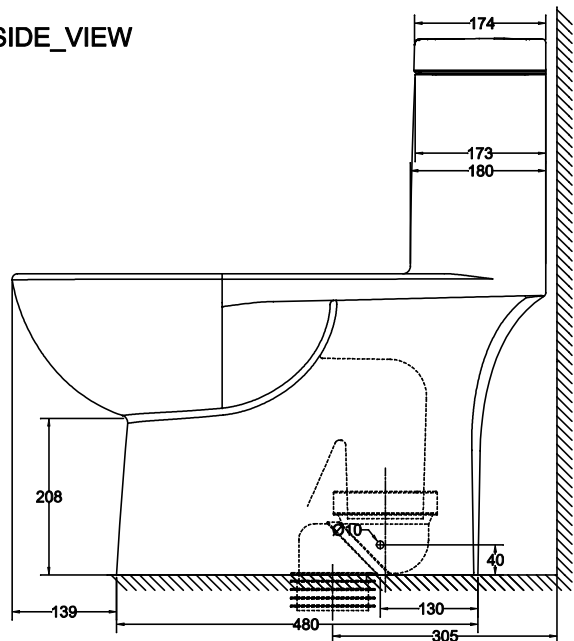


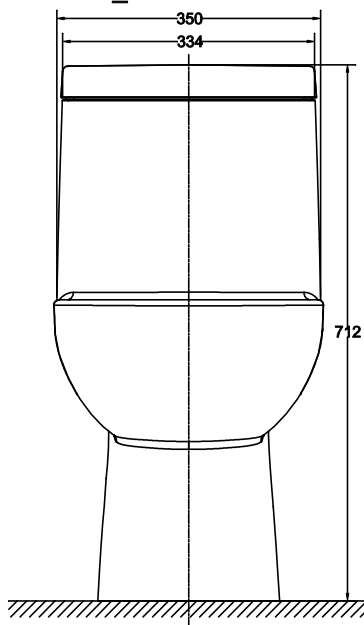
**BOTTOM\_VIEW**



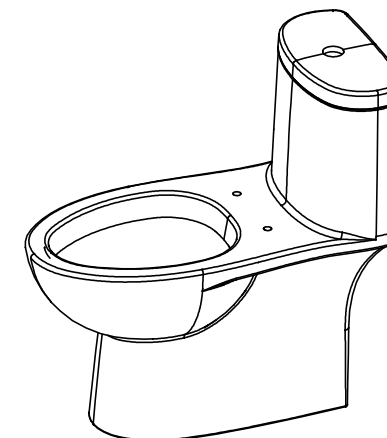
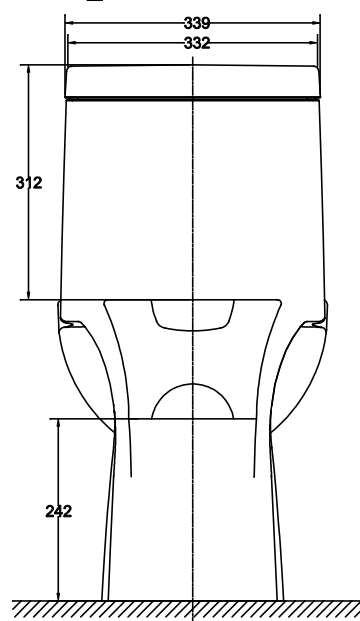
**SIDE\_VIEW**



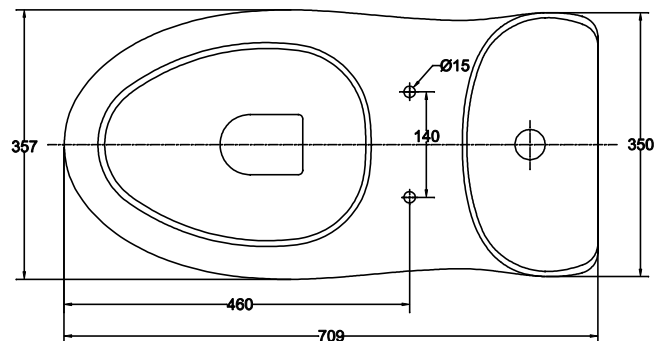
**FRONT\_VIEW**



**BACK\_VIEW**



**TOP\_VIEW**



\* This mark means suggested

E			
D			
C			
B			
A			
INDX	DATE	REV.	
<b>American Standard</b> International design center			Suite Name: New Code
			Drawing No: CP-2033
			<b>New Code II OP</b>
Checked by:	CAD eng: MaLingJun	DESIGN:	
Date: 13-Oct-10	Scale: 0.250	NPD:	
Sheet number: 1/1	Material: VC	QA & R- LAB:	
Drawing r.v:	Master r.v:	>75mm±2%, <75mm±5%	