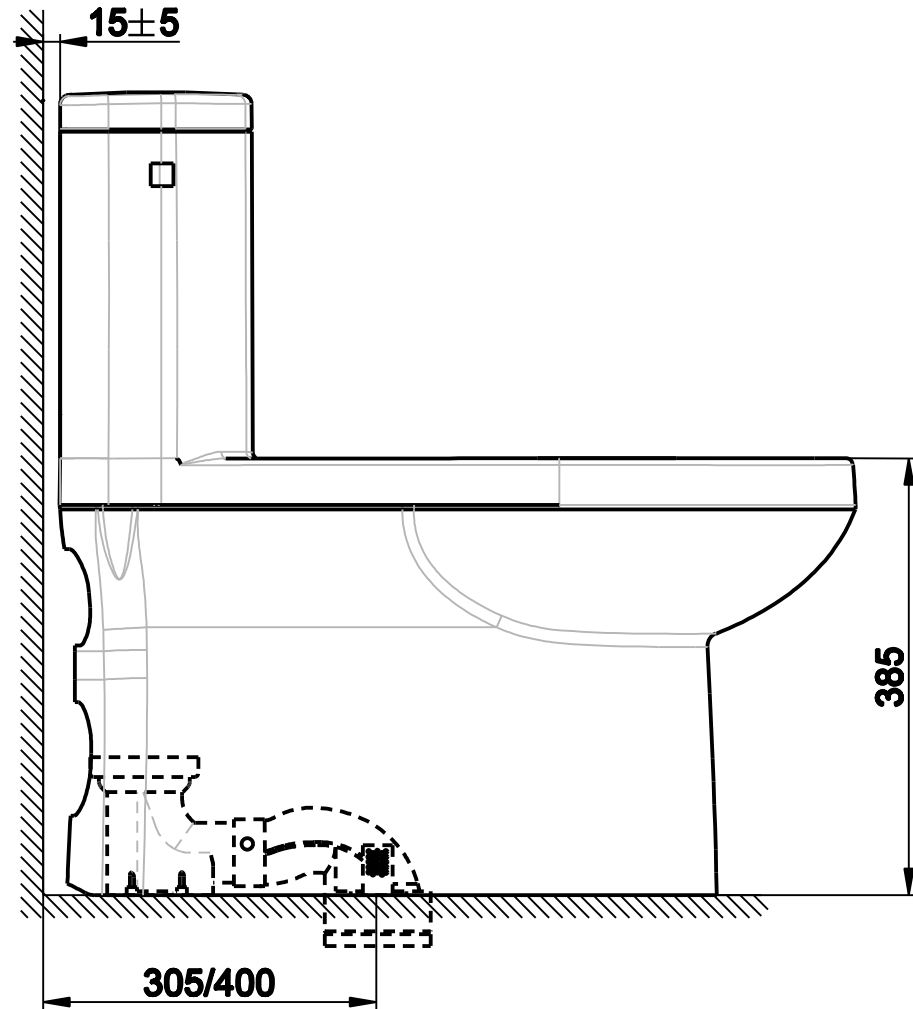
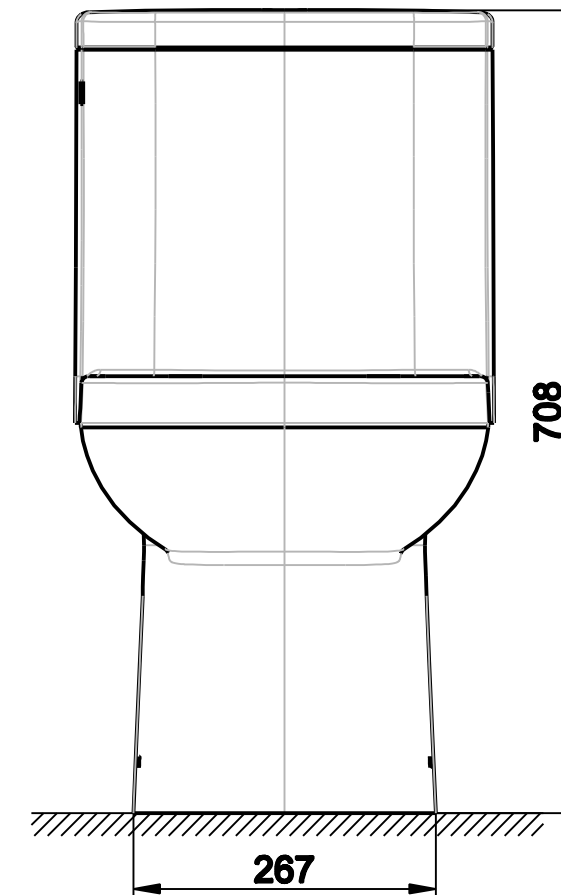


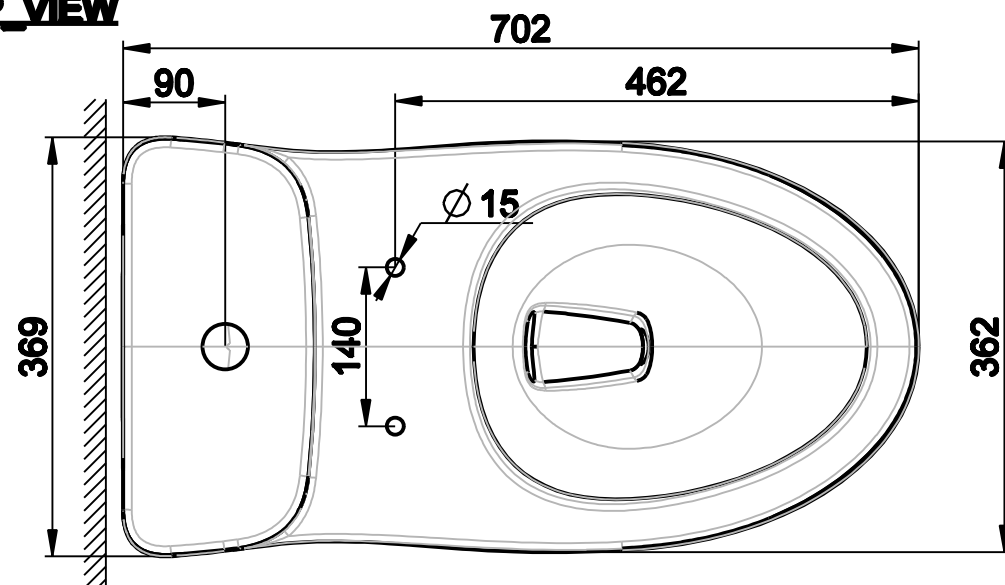
**SIDE\_VIEW**



**BACK\_VIEW**



**TOP\_VIEW**



\* This mark means suggested

E			
D			
C			
B			
A			
INDX	DATE	REV.	
<b>American Standard</b> International design center			Suite Name: Echo Drawing No: CP-2004_2005 Echo 1PCE 36 BWL
Checked by:		CAD eng: HeNa	DESIGN:
Date: 03-Apr-13		Scale: 0.150	NPD:
Sheet number: 1/1		Material: Undefined	QA & R- LAB:
Drawing r.v:1.0+		Master r.v:1.0+	>75mm±2%, <75mm±5%