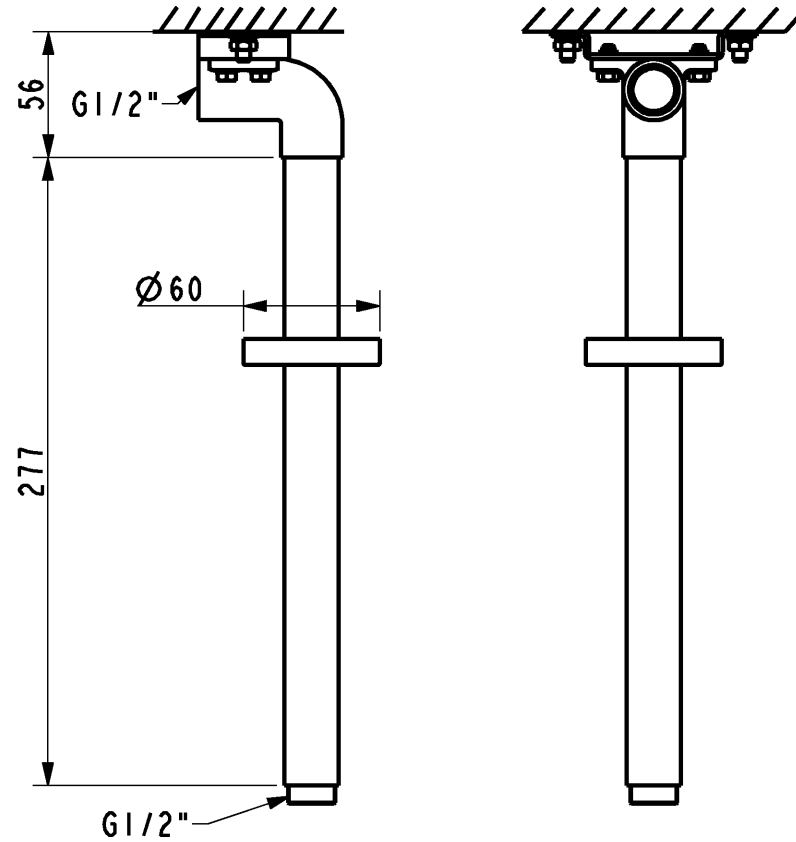


Tolerance, Unless Otherwise Stated. Is			
Above	0.5 to and including	6	±0.1
Excess	6 to and including	30	±0.2
Excess	30 to and including	120	±0.3
Excess	120 to and including	315	±0.5
Excess	315 to and including	1000	±0.8
Excess	1000 to and including	2000	±1.2



REV	DESCRIPTION	DATE	NAME

DESIGNED			TITLE
CHECKED			REF
APPROVED			
SCALE	MATERIAL	WEIGHT	DWG NO.