

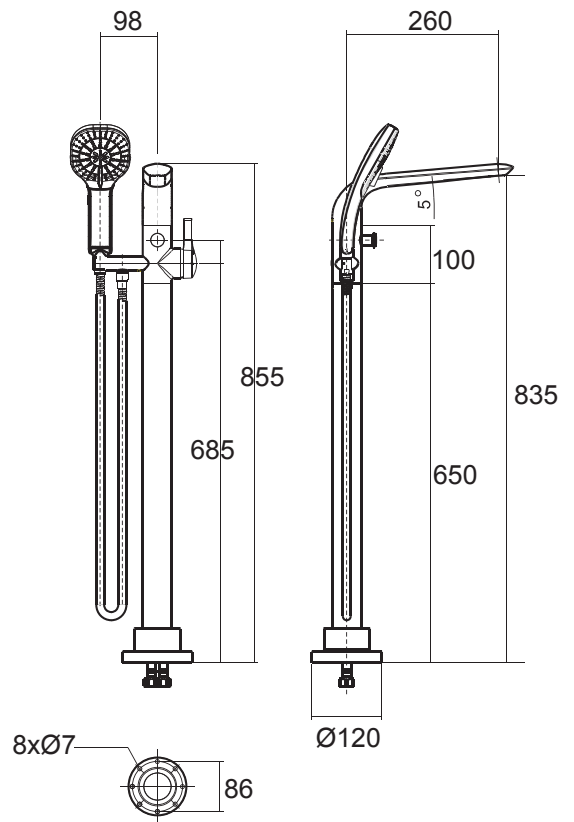
**IDS Faucet**

single leg floor stand bath filler

**A-6816-710**

**WF-6816.601.50**

**KFE2757.900.7N002X**



*American Standard*