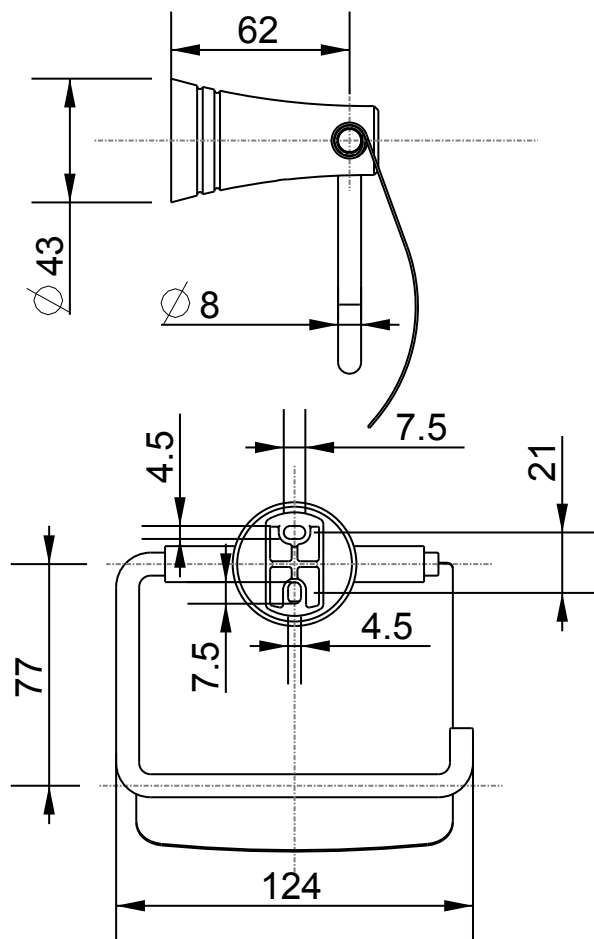


SEVA

Tissue Holder
WF-6586.908.50



American Standard

1/6 Moo 1, Phaholyothin Road Km.32 Klong Luang, Pathum Thani 12120
Tel (66 2) 901 4455 Fax (66 2) 901 4488
www.americanstandard.co.th